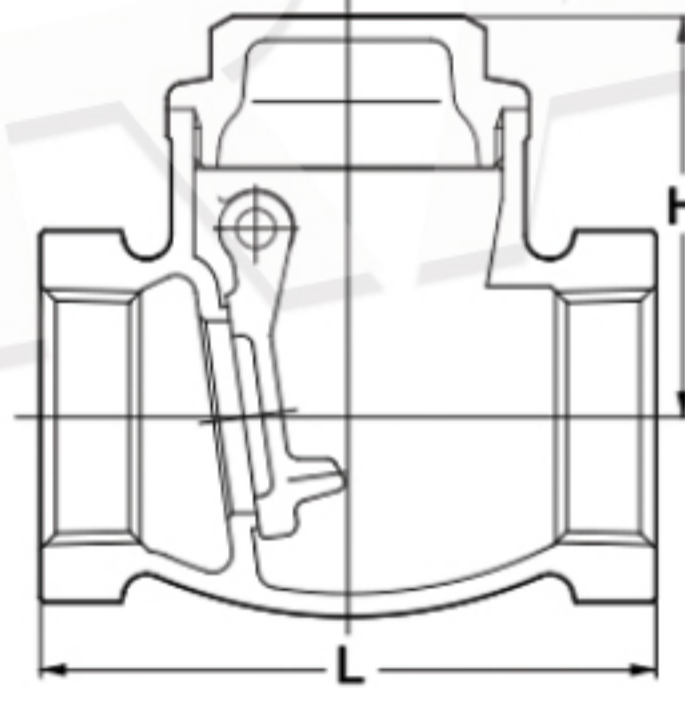


CLASS 125

BRONZE SWING CHECK VALVE

Screwed Cap, Swing type disc
Threaded ends to BS21 (JIS B0203) or NPT,
or solder joint ends.

W.O.G. non-shock 1.38 MPa (200 psi), Saturated steam pressure 0.86 MPa (125 psi)



Materials

Parts	Material
Body	Bronze
Cap	Brass/Bronze*
Hinge pin	Brass
Disc	Brass/Bronze*

*Size 4 only

⚠ Solder joint end valves should not be used in service where the temperature of line fluid is higher than the softening point of solder.

⚠ Don't use for Flammable gas or Toxic gas.

Fig. R

- Threaded end to BS21 (JIS B0203)

Dimensions

Nominal Size	inch	3/8	1/2	3/4	1	1 1/4	1 1/2	2	2 1/2	3	4	mm
	mm	10	15	20	25	32	40	50	65	80	100	
L		53	60	70	80	92	102	122	150	165	195	
L1 Solder		56	67	89	104	120	134	164	193	213		
H		39	39	45	52	62	67	79	91	102	119	